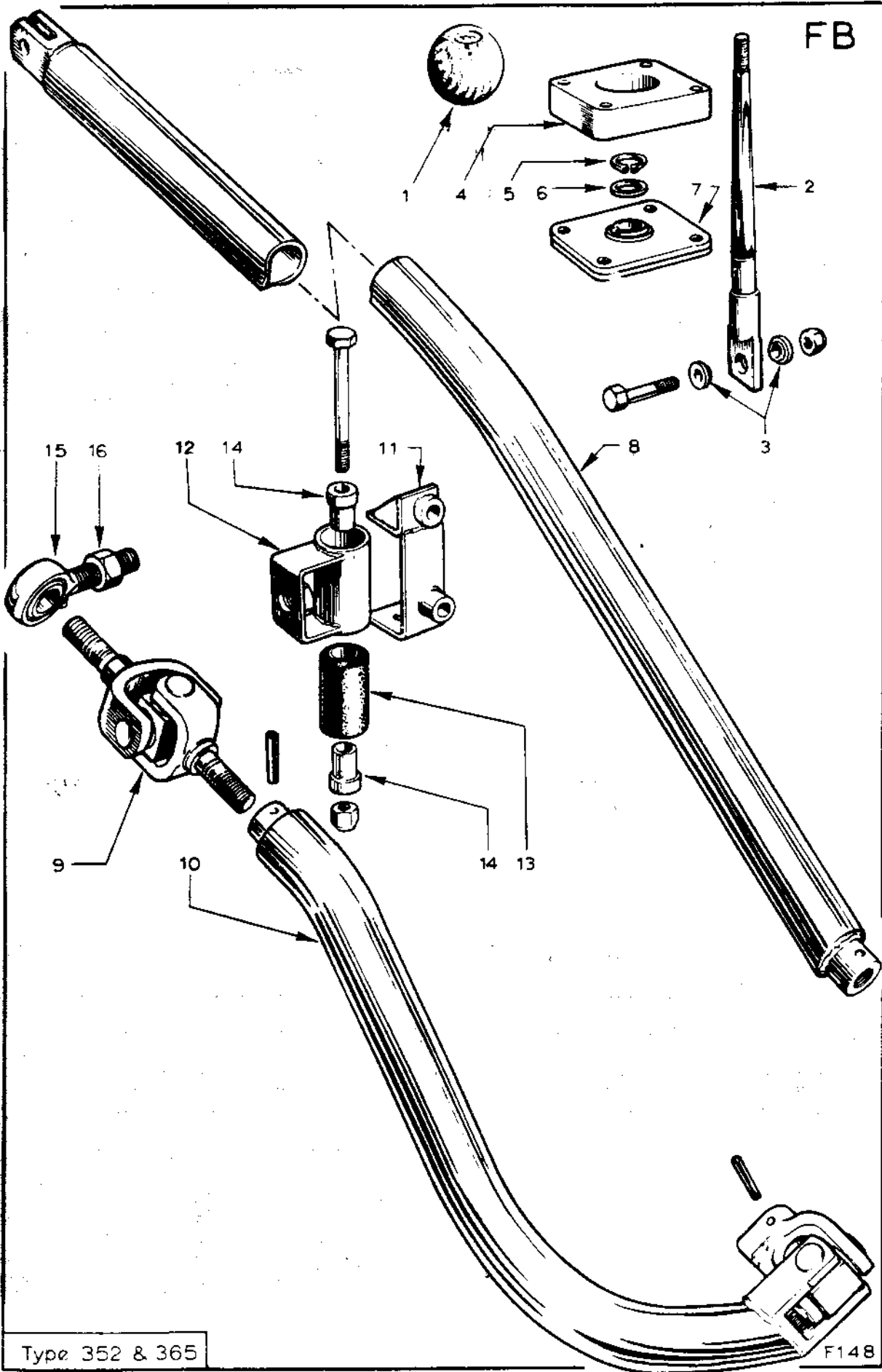


PLATE Ref: No.	PART NO.	QUANTITY					STEERING		DESCRIPTION	CHANGE POINT	BULLETIN REF
		ALL	T/C	T/C Fed.	Special	Spec. Fed.	LH	RH			
	110A		1	1			*	*	Washer.		
	YUFN 040F		1	1			*	*	Nut.		
FA12	A065 F 0160Z		1	1			*	*	Tube. Link,		
FA13	A065 F 6000Z		4	4			*	*	Ball Joint.		
FA14	AUFN 050FZ		4	4			*	*	Nut.		
FA15	A065 F 0164Z		2	2			*	*	Bolt.		
	211		2	2			*	*	Nut.		
FA16	A074 F 0176 Z		1	1			*	*	Link. Rear Longitudinal,		
FA17	A065 F 6000Z		1	1			*	*	Ball Joint.		
FA18	A065 F 0170Z		2	2			*	*	Spacer.		
FA19	A074 F 0179Z		1	1			*	*	Link. Location,		
FA20	X054 F 6003Z		2	2			*	*	Grommet.		
	13C		1	1			*	*	Bolt.		
	118		2	2			*	*	Washer.		
FA21	A074 F 0178Z		1	1			*	*	Actuator. Gearbox,		
FA22	X046 F 6151Z		1	1			*	*	Pin. Tension,		
FA23	A065 F 6001Z		1	1			*	*	Ball Joint.		
	121		1	1			*	*	Washer. Ball Joint to Link,		
	216		1	1			*	*	Nut. Ball Joint to Link,		
FA24	A065 F 0170Z		2	2			*	*	Spacer.		
	26		1	1			*	*	Bolt. Ball Joint to Actuator,		
	215		1	1			*	*	Nut.		

0972.

FA2.



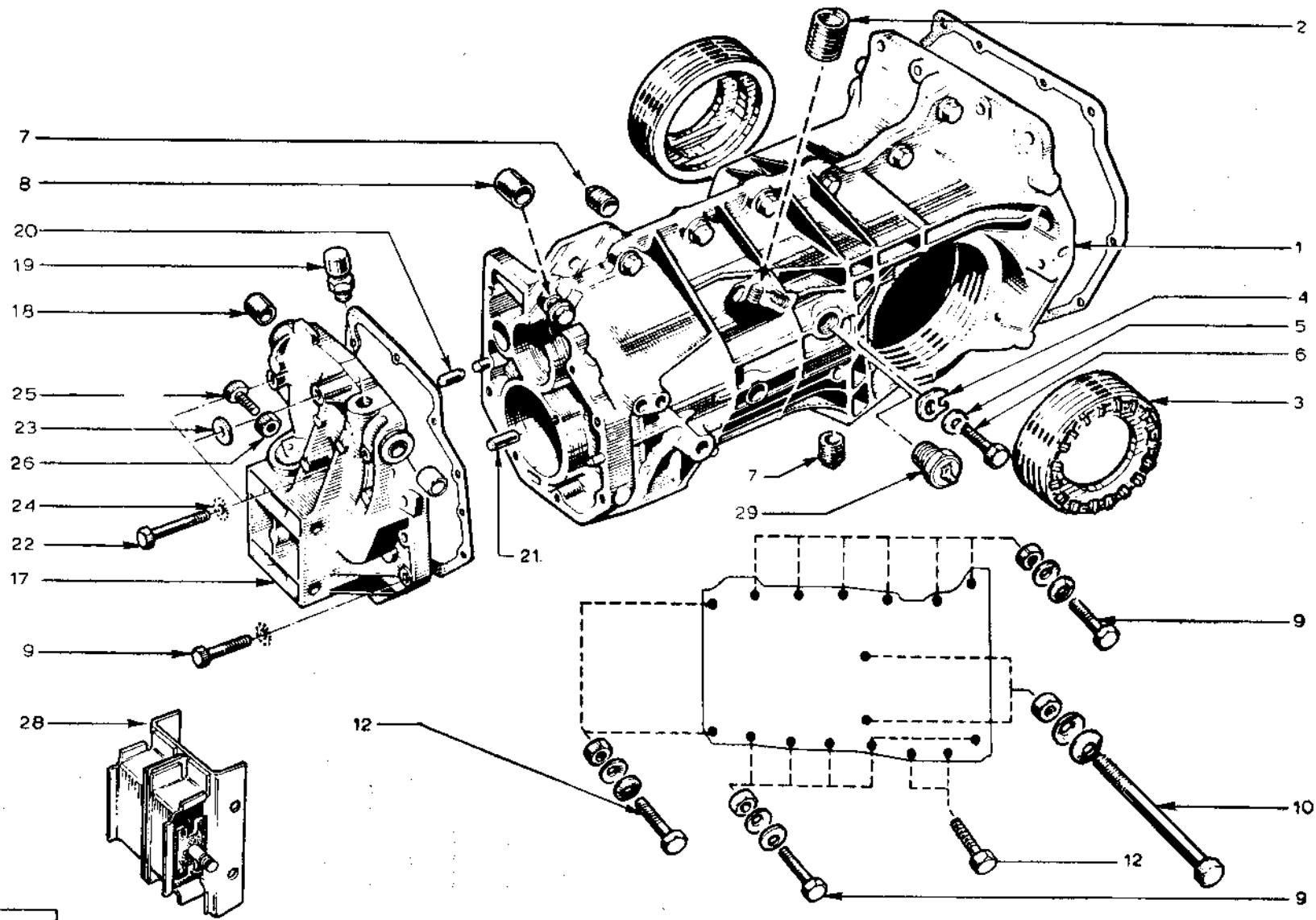
Type 352 & 365

F148

PLATE Ref: No.	PART NO.	QUANTITY					STEERING		DESCRIPTION	CHANGE POINT	BULLETIN RE
		ALL	T/C	T/C Fed.	Special	Spec. Fed.	LH	RH			
FB1	A050 F 0002A	1							TYPE 352 AND 365 GEARBOX Knob. Gear Lever, (325 Gearbox)		
	A074 F 0002Z				1	1	*	*	Knob. Gear Lever, (365 Gearbox)		
FB2	A074 F 0196Z	1							Lever. Gear,		
FB3	X046 F 6153Z	2							Bush. Lever to Front Link,		
	3B	1							Bolt. Lever to Link Attaching,		
	20B	1							Nut.		
FB4	B074 F 0207Z	1							Plate. Spacer,		
FB5	X046 F 6156Z	1							Circlip.		
FB6	X065 F 0156Z	1							Spacer.		
FB7	A065 F 6003Z	1							Ball Joint.		
	A065 F 0171Z	1							Plate. Bearing, Upper		
	A065 F 0172Z	1							Plate. Bearing, Lower		
	41	4							Screw. Attaching,		
	A03 W 0605	4							Washer.		
	203	4							Nut.		
FB8	B074 F 0201Z		1	1			*	*	Link. Front Longitudinal,		
	A074 F 0209Z				1	1	*	*	Link. Front Longitudinal,		
FB9	A074 F 0194Z	1							Joint Universal.		
FB10	B074 F 0204Z	1							Link. Rear Longitudinal,		
	C074 F 0204Z	1							Link. Rear Longitudinal,		
	A074 F 0210Z				1	1	*	*	Link. Rear Longitudinal, (type 365 Gearbox only)		

352 Gearboxes up
to Ser. No. 17000.
352 Gearboxes from
Ser. No. 17000.

PLATE Ref: No.	PART NO.	QUANTITY					STEERING		DESCRIPTION	CHANGE POINT	BULLETIN REF
		ALL	T/C	T/C Fed.	Special	Spec. Fed.	LH	RH			
	A074 F 6012Z	3							Pin. Spirol,		
FB11	C074 F 0187Z	1							Bracket. 'A' Pivot,		
FB12	C074 F 0188Z	1							'A' Pivot.		
FB13	A050 C 6042Z	1							Bush.		
FB14	A074 F 0219Z	2							Spacer.		
	XUFB 0440	1							Bolt. 'A' Pivot,		
	208	1							Nut.		
FB15	A074 F 6011Z	1							Ball Joint.		
FB16	219C	1							Locknut.		
	128G	1							Washer. Shakeproof,		



Type 336

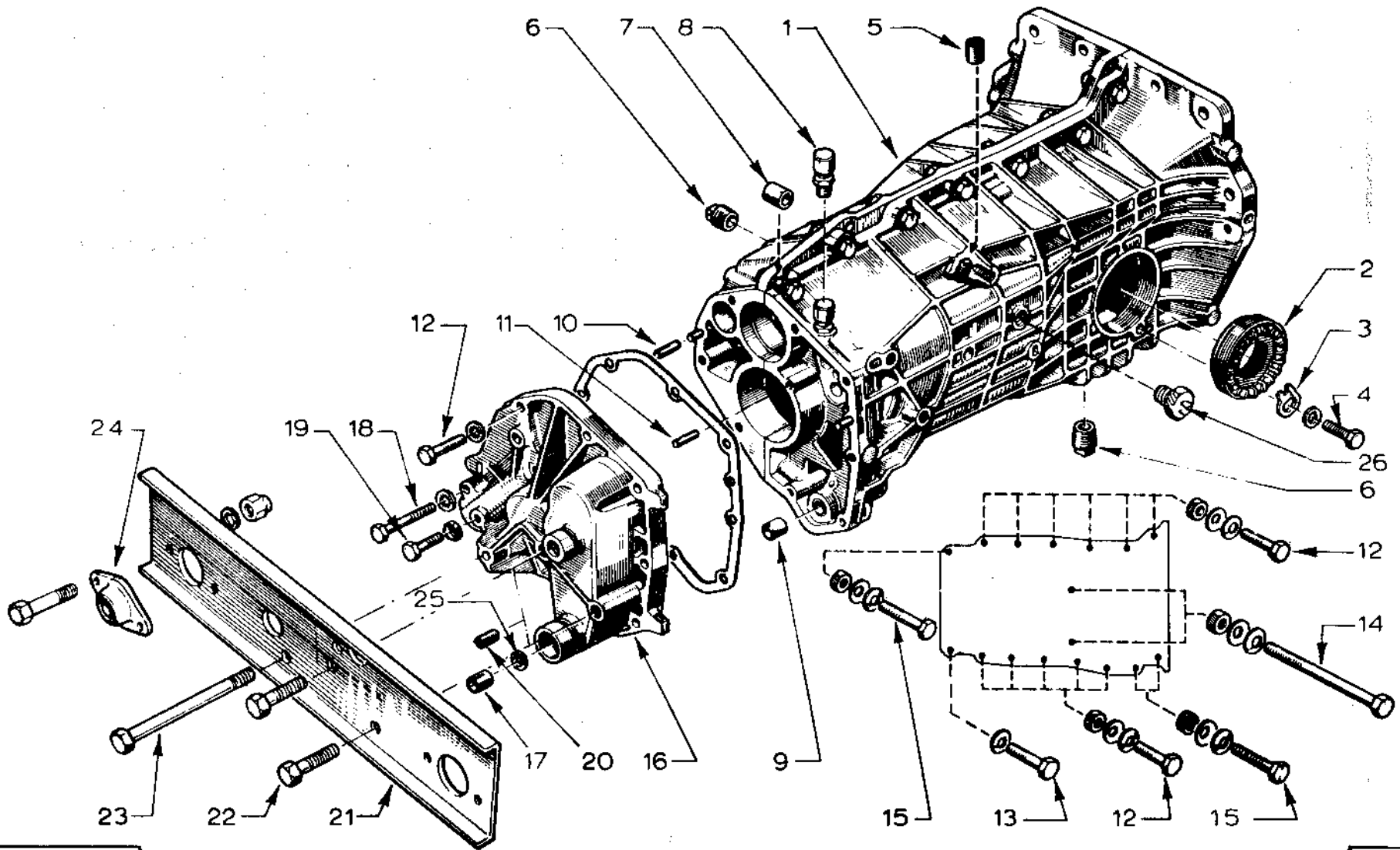
PLATE	PART NO.	QUANTITY					STEERING		DESCRIPTION	CHANGE POINT	BULLETIN RE
		ALL	T/C	T/C Fed.	Special	Spec. Fed.	LH	RH			
Ref: No.											
									<u>TYPE 336 GEARBOX</u>		
	A074 F 6002W	1	1				*	*	Gearbox Assembly		
FC1	B046 F 6014Z	1	1				*	*	Gearbox Casing		
FC2	X046 F 6013Z	1	1				*	*	Helicoil Insert		
FC3	X046 F 6001Z	2	2				*	*	Nut. Bearing Retaining,		
FC4	X046 F 6015Z	2	2				*	*	Tabwasher.		
FC5	A046 W 6083Z	2	2				*	*	Washer.		
FC6	A046 W 6019Z	2	2				*	*	Bolt.		
FC7	A074 F 6046Z	2	2				*	*	Plug. Oil Filler/Drain, (replaces X046 F 6002Z).		
FC8	X046 F 6003Z	2	2				*	*	Spacer.		
FC9	A046 W 6086Z	16	16				*	*	Bolt. 7 X 30,		
	A046 W 6085Z	11	11				*	*	Washer.		
	A046 W 6093Z	5	5				*	*	'Star' Washer.		
	A064 W 6084Z	12	12				*	*	Nut.		
FC10	A046 W 6088Z	2	2				*	*	Bolt. 8 X 110,		
	A046 W 6091Z	4	4				*	*	Washer.		
	A046 W 6087Z	2	2				*	*	Nut.		
FC12	A046 W 6090Z	4	4				*	*	Bolt. 7 X 40,		
	A046 W 6085Z	4	4				*	*	Washer.		
	A046 W 6084Z	2	2				*	*	Nut.		

0972.

FC1.

PLATE Ref: No.	PART NO.	QUANTITY					STEERING		DESCRIPTION	CHANGE POINT	BULLETIN REF
		ALL	T/C	T/C Fed.	Special	Spec. Fed.	LH	RH			
									<u>TYPE 336 GEARBOX</u>		
FC17	B046 F 6008Z	1	1						Rear Casing		
FC18	A046 F 6006Z	2	2				*	*	Bush. (replaces X0A46 F 6006Z).		
FC19	X046 F 6005Z	1	1				*	*	Breather.		
FC20	X046 F 6004Z	2	2				*	*	Dowel Pin.		
FC21	X046 F 6009Z	1	1				*	*	Dowel Pin.		
FC22	A046 F 6092Z	3	3				*	*	Bolt. 7 X 50,		
	A046 W 6093Z	5	5				*	*	'Star' Washer.		
FC23	A046 W 6036Z	1	1				*	*	Washer.		
FC25	A046 W 6095Z	1	1				*	*	Bolt.		
FC26	A046 W 6094Z	1	1				*	*	Nut.		
FC28	B046 F 6195Z	1	1				*	*	Mounting.		
	X046 E 6462Z	2	2				*	*	Bolt. Mounting Attaching,		
	A046 W 6002Z	2	2				*	*	Washer.		
	A046 W 6105Z	2	2				*	*	Nut.		
FC29	A065 M 6002Z	1	1				*	*	Switch. Reversing Lights, - C/W Washer,		

FD



Type 352

F107

PLATE Ref: No.	PART NO.	QUANTITY					STEERING		DESCRIPTION	CHANGE POINT	BULLETIN REF.
		ALL	T/C	T/C Fed.	Special	Spec. Fed.	LH	RH			
									<u>TYPE 352 GEARBOX</u>		
	A074 W 6003Z	1							Washer.		
FD14	A046 W 6088Z	2							Bolt. 8 X 10,		
	A074 W 6004Z	4							Washer.		
	A046 W 6087Z	2							Nut.		
FD15	A046 W 6090Z	3							Bolt. 7 X 40,		
	A074 W 6003Z	6							Washer.		
	A046 W 6084Z	3							Nut.		
FD16	A074 F 6048Z	1							Rear Casing. (for 13 mm. dia. control shaft.)		
	A074 F 6031Z	1							Rear Casing. (for 15 mm dia. control shaft)		
	A074 F 6047Z	1							Gasket. Rear to Main Casings,		
FD17	A074 F 6050Z	1							Bush. (for 13 mm. dia. control shaft.)		
	A074 F 6027Z	1							Bush. (for 15 mm dia. control shaft)		
FD18	A046 W 6092Z	1							Bolt. 7 X 70,		
FD19	A074 W 6006Z	1							Bolt.		
	A074 W 6007Z	1							Washer.		
FD20	A074 F 6049Z	2							Helicoil Insert.		
FD21	B074 F 0185Z	1							Mounting Plate. Gearbox to Chassis,		
	C074 F 0185Z	1							Mounting Plate. Gearbox to Chassis,	Introduced at Unit No. U.K. European Federal	

PLATE Ref: No.	PART NO.	QUANTITY					STEERING		DESCRIPTION	CHANGE POINT	BULLETIN REF.
		ALL	T/C	T/C Fed.	Special	Spec. Fed.	LH	RH			
FD22	XMMB 0720	2							Bolt. Attaching, (for B074 F 0185Z).		
	A074 F 0288Z	2							Stud. Attaching, (for C074 F 0185Z).		
FD23	XMMB 0780	1							Bolt. Attaching, (for B074 F 0185Z).		
	A074 F 0287Z	1							Stud. Attaching, (for C074 F 0185Z).		
	L08W 0000	3							Washer. Shakeproof, (for C074 F 0185Z).		
	YMMN 070F	3							Nut. (for C074 F 0185Z)		
FD24	A074 F 6008Z	2							Mounting.		
	XMMB 12100Z	2							Bolt. Attaching, - Gearbox Mounting to Chassis.		
FD25	A074 W 6008Z	1							Washer. (for 13 mm. dia. control shaft).		
	A074 F 6028Z	1							Washer. (for 15 mm. dia. control shaft).		
FD26	A065 M 6002Z	1							Switch. Reversing Lights,		

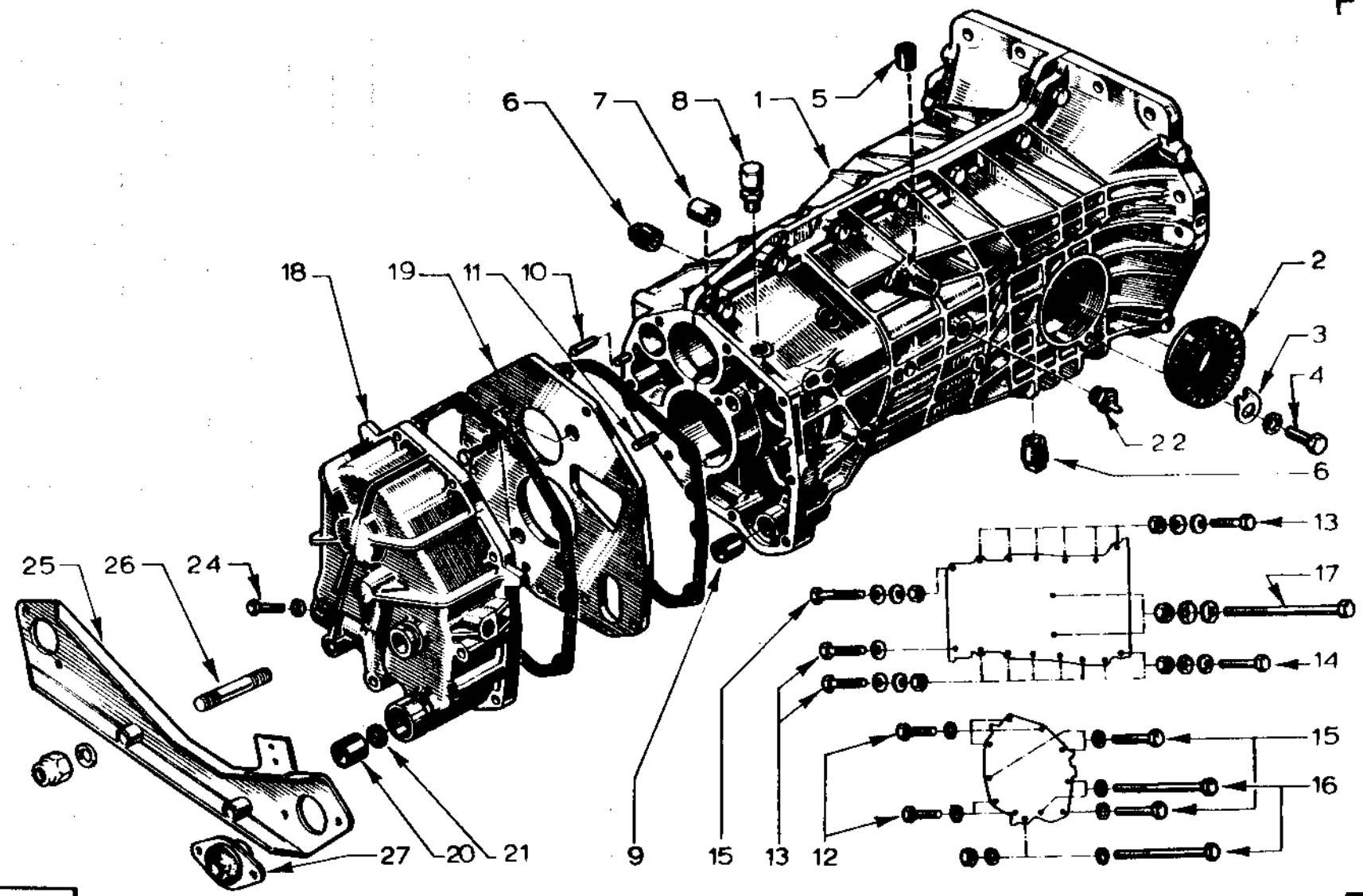
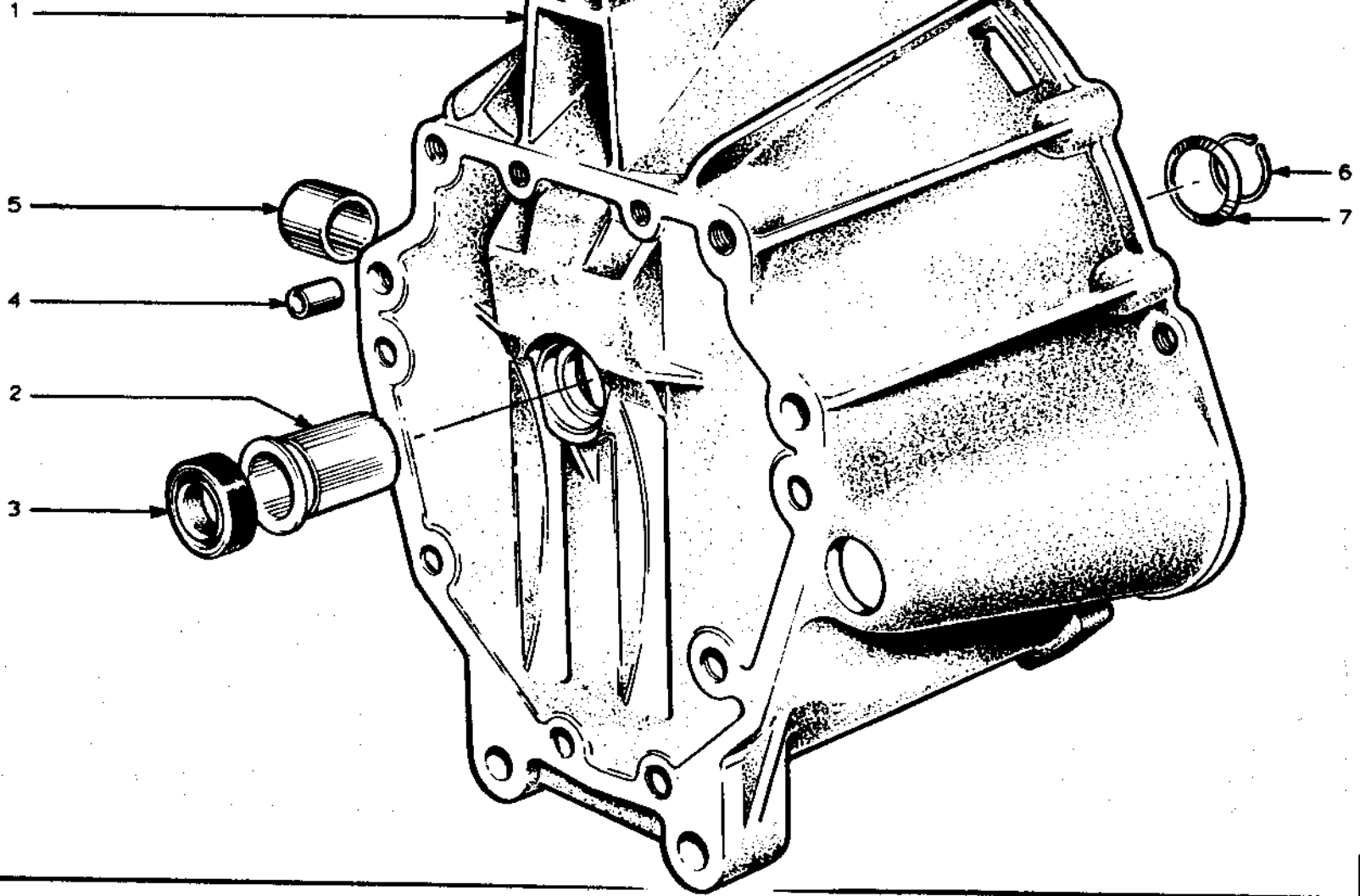


PLATE Ref: No.	PART NO.	ALL	T/C	T/C Fed.	Special	Spec. Fed.	STEERING		DESCRIPTION	CHANGE POINT	BULLETIN REF:
							LH	RH			
									TYPE 365 GEARBOX		
	A074W6003Z				4	4			Washer		
	A046W6084Z				2	2			Nut		
FE15	A046W6090Z				4	4			Bolt 7 x 40		
	A046W6011Z				3	3			'Star' Washer		
	A074W6003Z				2	2			Washer		
	A046W6084Z				1	1			Nut		
FE16	A074F6079Z				3	3			Bolt 7 x 80		
	A046W6011Z				4	4			'Star' Washer		
	A046W6084Z				1	1			Nut		
FE17	A046W6088Z				2	2			Bolt 8 x 110		
	A046W6004Z				4	4			Washer		
	A046W6087Z				2	2			Nut		
FE18	A074F6085Z				1	1			Rear Casing		
	A074F6082Z				1	1			Gasket. Rear Casing to Spacer Plate		
FE19	A074F6018Z				1	1			Spacer Plate		
	A074F6084Z				3	3			Bolt Attaching		
	A074F6083Z				3	3			Washer		
	A074F6047Z				1	1			Gasket. Spacer Plate to Main Casing		
FE20	A074F6027Z				1	1			Bush		
FE21	A074W6028Z				1	1			Washer		
0475	A074F6076Z				1	1			Oil Seal		

PLATE Ref: No.	PART NO.	QUANTITY					STEERING		DESCRIPTION	CHANGE POINT	BULLETIN REF.
		ALL	T/C	T/C Fed.	Special	Spec. Fed.	LH	RH			
									<u>TYPE 365 GEARBOX</u>		
FE22	A074 F 6078Z				1	1			Switch. Reversing Lights,		
FE24	A074 F 6086Z				1	1			Bolt.		
	A074 W 6007Z				1	1			Washer,		
FE25	A074 F 0220Z				1	1			Mounting Plate. Gearbox to Chassis,		
FE26	A074 F 0289Z				2	2			Stud.		
	L08W 0000				2	2			Washer.		
	YMMN 070F				2	2			Nut.		
FE27	A074 F 6008Z				2	2			Mounting.		

FF



F108

PLATE	PART NO.	QUANTITY					STEERING		DESCRIPTION	CHANGE POINT	BULLETIN REF.
		ALL	T/C	T/C Fed.	Special	Spec. Fed.	LH	RH			
Ref: No.											
FF1	A074 F 0005Y		1	1			*	*	Bell Housing. (336 G/Box)		
	D074 F 0005Y	1					*	*	Bell Housing. (352/365 G/Box)		
FF2	A074 Q 6001Z	1							Spigot. Release Bearing,		
FF3	A074 Q 6005Z	1							Seal. Oil,		
FF4	X046 F 6023Z	1							Bush,		
FF5	A074 F 6001Z	1							Bush. Cross Shaft,		
FF6	A074 Q 6002Z	1							Circlip.		
FF7	A074 Q 6003Z	1							Shim.		
	A074 F 6000Z	1							Gasket. Bellhousing to Gearbox,		
	XMMB 1030	2							Bolt.)		
	XMMB 0825	8							Bolt.)		
	XMMB 1035	2							Bolt.)	Bellhousing to Gearbox.	
	A08W 1706	8							Washer.)		
	A10W 2108	4							Washer.)		

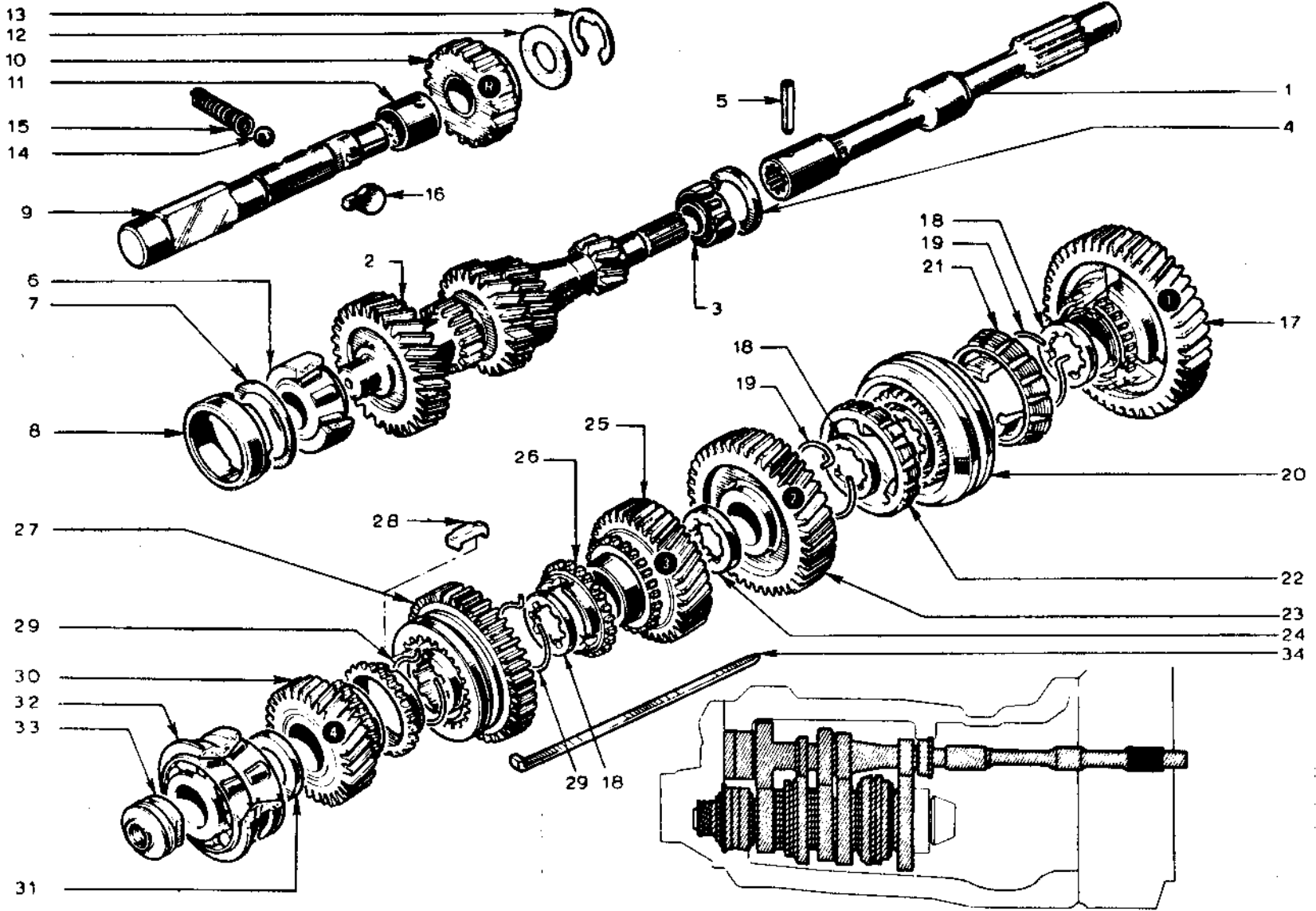


PLATE Ref. No.	PART NO.	QUANTITY					STEERING		DESCRIPTION	CHANGE POINT	BULLETIN REF
		ALL	T/C	T/C Fed.	Special	Spec. Fed.	LH	RH			
FG1	X046 F 6050Z		1	1			*	*	<u>TYPE 336 AND 352 GEARBOX</u> Clutch Shaft. (336 G/Box)		
	A074 F 6052Z	1							Clutch Shaft. (352 G/Box)		
FG2	B046 F 6034Z	1							Primary Shaft.		
FG3	X046 F 6051Z	1							Bearing.		
FG4	X046 F 6082Z	AR							Shim. 2.00 mm,		
	X046 F 6083Z	AR							Shim. 2.25 mm,		
	X046 F 6084Z	AR							Shim. 2.50 mm,		
	X046 F 6085Z	AR							Shim. 2.75 mm,		
	X046 F 6086Z	AR							Shim. 3.00 mm,		
	X046 F 6087Z	AR							Shim. 3.25 mm,		
	X046 F 6088Z	AR							Shim. 3.50 mm,		
	X046 F 6089Z	AR							Shim. 3.75 mm,		
	X046 F 6090Z	AR							Shim. 4.00 mm,		
FG5	A046 F 6033Z	1							Roll Pin.		
FG6	X046 F 6035Z	1							Bearing.		
FG7	X046 F 6077Z	AR							Shim. 0.10 mm,		
	X046 F 6078Z	AR							Shim. 0.20 mm,		
	X046 F 6079Z	AR							Shim. 0.25 mm,		
	X046 F 6080Z	AR							Shim. 0.50 mm,		
	X046 F 6081Z	AR							Shim. 1.00 mm,		

0972.

FG1.

PLATE Ref: No.	PART NO.	QUANTITY					STEERING		DESCRIPTION	CHANGE POINT	BULLETIN REF.
		ALL	T/C	T/C Fed.	Special	Spec. Fed.	LH	RH			
									<u>TYPE 336 AND 352 GEARBOX</u>		
FG8	X046 F 6036Z	1							Retaining Ring.		
FG9	A046 F 6031Z	1							Shaft. Reverse Gear,		
FG10	X046 F 6027Z	1							Reverse Gear.		
FG11	X046 F 6028Z		1	1			*	*	Bush. (336 G/Box)		
FG12	X046 F 6026Z	1							Thrust Washer.		
FG13	X046 F 6025Z	1							Circlip.		
FG14	A046 F 6030Z	1							Locking Ball.		
FG15	A046 F 6029Z	1							Spring.		
FG16	A046 F 6032Z	1							Guide.		
FG17	A046 F 6053Z	1							Gear. 1 st		
FG18	X046 F 6038Z	3							Stop Washer.		
FG19	X046 F 6052Z	2							Synchro Spring.		
FG20	X046 F 6058Z	1							Synchroniser Hub. (yellow),		
	X046 F 6059Z	1							Synchroniser Hub. (blue),		
FG21	X046 F 6054Z	1							Synchroniser Ring. 1 st ,		
FG22	X046 F 6060Z	1							Synchroniser Ring. 2 nd ,		
FG23	B046 F 6061Z	1							Gear. 2 nd ,		
FG24	X046 F 6062Z	1							Stop Washer.		
FG25	X046 F 6037Z	1							Gear. 3 rd ,		
FG26	X046 F 6046Z	2							Synchroniser Ring. 3 rd /4 th ,		

0972.

FG2.

PLATE Ref: No.	PART NO.	QUANTITY					STEERING		DESCRIPTION	CHANGE POINT	BULLETIN REF.
		ALL	T/C	T/C Fed.	Special	Spec. Fed.	LH	RH			
FG27	X046 F 6042Z	1							<u>TYPE 336 AND 352 GEARBOX</u> Synchroniser. 3 rd /4 th , (yellow) Synchroniser. 3 rd /4 th . (blue) Key. Synchro Spring. Gear. 4 th , Shim. 3.50 mm, Shim. 3.55 mm, Shim. 3.60 mm, Shim. 3.65 mm, Shim. 3.70 mm, Shim. 3.75 mm, Shim. 3.80 mm, Shim. 3.85 mm, Shim. 3.90 mm, Shim. 3.95 mm, Shim. 4.00 mm, Shim. 4.05 mm, Shim. 4.10 mm, Bearing. Speedo Worm Nut. (336 G/Box) Speedo Worm Nut. (352 G/Box)		
	X046 F 6043Z	1									
FG28	X046 F 6039Z	3									
FG29	A046 F 6040Z	2									
FG30	X046 F 6047Z	1									
FG31	X046 F 6064Z	AR									
	X046 F 6065Z	AR									
	X046 F 6066Z	AR									
	X046 F 6067Z	AR									
	X046 F 6068Z	AR									
	X046 F 6069Z	AR									
	X046 F 6070Z	AR									
	X046 F 6071Z	AR									
	X046 F 6072Z	AR									
	X046 F 6073Z	AR									
	X046 F 6074Z	AR									
	X046 F 6075Z	AR									
	X046 F 6076Z	AR									
FG32	X046 F 6048Z	1									
FG33	X046 F 6049Z		1	1			*	*			
	A074 F 6054Z	1									

0972.

FG3.

PLATE Ref: No.	PART NO.	QUANTITY					STEERING		DESCRIPTION	CHANGE POINT	BULLETIN REF.
		ALL	T/C	T/C Fed.	Special	Spec. Fed.	LH	RH			
FG34	X046 F 6063Z	1							<u>TYPE 336 AND 352 GEARBOX</u> Key.		

PLATE Ref: No.	PART NO.	QUANTITY					STEERING		DESCRIPTION	CHANGE POINT	BULLETIN REF
		ALL	T/C	T/C Fed.	Special	Spec. Fed.	LH	RH			
									<u>TYPE 365 GEARBOX</u>		
FH1	A074 F 6052Z				1	T	*	*	Clutch Shaft.		
FH2	A074 F 6091Z				1	1	*	*	Primary Shaft.		
FH3	A074 F 6090Z				1	1	*	*	Bearing.		
FH4	A074 F 6088Z				1	1	*	*	Circlip. Inner,		
FH5	A074 F 6089Z				1	1	*	*	Circlip. Outer,		
FH6	A046 F 6033Z				1	1	*	*	Roll Pin.		
FH7	A074 F 6122Z				1	1	*	*	Bearing.		
FH8	A074 F 6100Z				AR	AR	*	*	Shim. 3.00mm.		
	A074 F 6101Z				AR	AR	*	*	Shim. 3.25 mm.		
	A074 F 6102Z				AR	AR	*	*	Shim. 3.50 mm.		
	A074 F 6103Z				AR	AR	*	*	Shim. 3.75 mm.		
	A074 F 6104Z				AR	AR	*	*	Shim. 4.00 mm.		
	A074 F 6105Z				AR	AR	*	*	Shim. 4.25 mm.		
	A074 F 6106Z				AR	AR	*	*	Shim. 4.50 mm.		
	A074 F 6107Z				AR	AR	*	*	Shim. 4.75 mm.		
	A074 F 6108Z				AR	AR	*	*	Shim 5.00 mm.		
	A074 F 6109Z				AR	AR	*	*	Shim. 5.25 mm.		
	A074 F 6110Z				AR	AR	*	*	Shim. 5.50 mm.		

PLATE Ref: No.	PART NO.	QUANTITY					STEERING		DESCRIPTION TYPE 365 GEAR BOX	CHANGE POINT	BULLETIN REF:	
		ALL	T/C	T/C Fed.	Special	Spec. Fed.	LH	RH				
FH9	A074F6121Z				1	1		+	+	Spacer		
FH10	A074F6120Z				1	1		+	+	Sleeve		
FH11	A074F6119Z				1	1		+	+	Bearing Needle Roller		
FH12	A074F0223Z				1	1		+	+	Gear 5th Primary		
FH13	A074F6117Z				1	1		+	+	Synchroniser Hub 5th		
FH14	A074F6095Z				1	1		+	+	Synchroniser Ring		
FH15	A074F6114Z				6	6		+	+	Key	Type 365-04	
	A074F6114Z				3	3		+	+	Key	Type 365-07	
FH16	A074F6099Z				3	3		+	+	Sychro Spring		
FH17	A074F6115Z				1	1		+	+	Circlip Inner		
FH18	A074F6112Z				2	2		+	+	Washer		
FH19	A074F6116Z				1	1		+	+	Nut		
FH20	A074F6123Z				1	1		+	+	Shaft Reverse Gear		
FH21	A074F6124Z				1	1		+	+	Reverse Gear		
FH22	X046F6026Z				1	1		+	+	Thrust Washer		
FH23	X046F6025Z				1	1		+	+	Circlip		
FH24	A046F6030Z				1	1		+	+	Locking Ball		
FH25	A046F6029Z				1	1		+	+	Spring		
FH26	A046F6032Z				1	1		+	+	Guide		

0475

FH2

PLATE Ref: No.	PART NO.	QUANTITY					STEERING		DESCRIPTION	CHANGE POINT	BULLETIN REF:
		ALL	T/C	T/C Fed.	Special	Spec. Fed.	LH	RH			
FH27	A046F6053Z				1	1			Gear 1st	Type 365-04	
	A074F6161Z				1	1			Gear 1st	Type 365-07	
FH28	X046F6038Z				2	2			Stop Washer		
FH29	X046F6052Z				2	2			Synchro Spring		
FH30	A074F6092Z				1	1			Synchro Hub 1st/2nd (Medium blue)	Type 365/04	
	A074F6163Z				1	1			Synchro Hub 1st/2nd (Yellow/Red)	Type 365-07	
	A074F6093Z				1	1			Synchro Hub 1st/2nd (Yellow)	Type 365-04	
	A074F6164Z				1	1			Synchro Hub 1st/2nd (White)	Type 365-07	
FH31	X046F6054Z				1	1			Synchro Ring 1st	Type 365-04	
	A074F6162Z				1	1			Synchro Ring 1st	Type 365-07	
FH32	X046F6060Z				1	1			Synchro Ring 2nd	Type 365-04	
	A074F6165Z				1	1			Synchro Ring 2nd	Type 365-07	
FH33	A074F6094Z				1	1			Gear 2nd	Type 365-04	
	A074F6166Z				1	1			Gear 2nd	Type 365-07	
FH34	X046F6062Z				1	1			Stop Washer		
FH35	A074F6125Z				1	1			Gear 3rd	Type 365-04	
	A074F6167Z				1	1			Gear 3rd	Type 365-07	
FH37	X046F6063Z				1	1			Key		
FH38	A074F6096Z				1	1			Stop Washer	Type 365-04	
	A074F6169Z				1	1			Stop Washer	Type 365-07	
0475											

PLATE Ref. No.	PART NO.	QUANTITY					STEERING		DESCRIPTION	CHANGE POINT	BULLETIN REF:
		ALL	T/C	T/C Fed.	Special	Spec. Fed.	LH	RH			
FH39	A074F6097Z				1	1		+	+	Synchro Hub 3rd/4th (medium blue)	Type 365-04
	A074F6170Z				1	1		+	+	Synchro Hub 3rd/4th (blue/white)	Type 365-07
	A074F6098Z				1	1		+	+	Synchro Hub 3rd/4th (yellow)	Type 365-04
	A074F6171Z				1	1		+	+	Synchro Hub 3rd/4th (red)	Type 365-07
FH41	A074F6156Z				1	1		+	+	Gear 4th	Type 365-04
	A074F6173Z				1	1		+	+	Gear 4th	Type 365-07
FH42	X046F6064Z				A/R	A/R		+	+	Shim 3.50 mm	Type 365-04 Only
	X046F6065Z				"	"		+	+	Shim 3.55 mm	
	X046F6066Z				"	"		+	+	Shim 3.60 mm	
	X046F6067Z				"	"		+	+	Shim 3.65mm	
	X046F6068Z				"	"		+	+	Shim 3.70 mm	
	X046F6069Z				"	"		+	+	Shim 3.75mm	
	X046F6070Z				"	"		+	+	Shim 3.80 mm	
	X046F6071Z				"	"		+	+	Shim 3.85 mm	
	X046F6072Z				"	"		+	+	Shim 3.90 mm	
	X046F6073Z				"	"		+	+	Shim 3.95mm	
	X046F6074Z				"	"		+	+	Shim 4.00 mm	
	X046F6075Z				"	"		+	+	Shim 4.05 mm	
FH43	X046F6076Z				"	"		+	+	Shim 4.10 mm	
	X046F6048Z				1	1		+	+	Bearing	
0475											

FH4

PLATE Ref. No.	PART NO.	QUANTITY					STEERING		DESCRIPTION	CHANGE POINT	BULLETIN REF:
		ALL	T/C	T/C Fed.	Special	Spec. Fed.	LH	RH			
FH44	A074F0224Z				1	1	+	+	Gear 5th primary		
FH46	A074F6111Z				1	1	+	+	Speedo - Worm Nut		
FH47	A074F6095Z				2	2	+	+	Synchro Ring	Type 365-04	
	A074F6168Z				2	2	+	+	Synchro Ring	Type 365-07	
FH48	A074F6172Z				3	3	+	+	Locking Ball	Type 365-07	

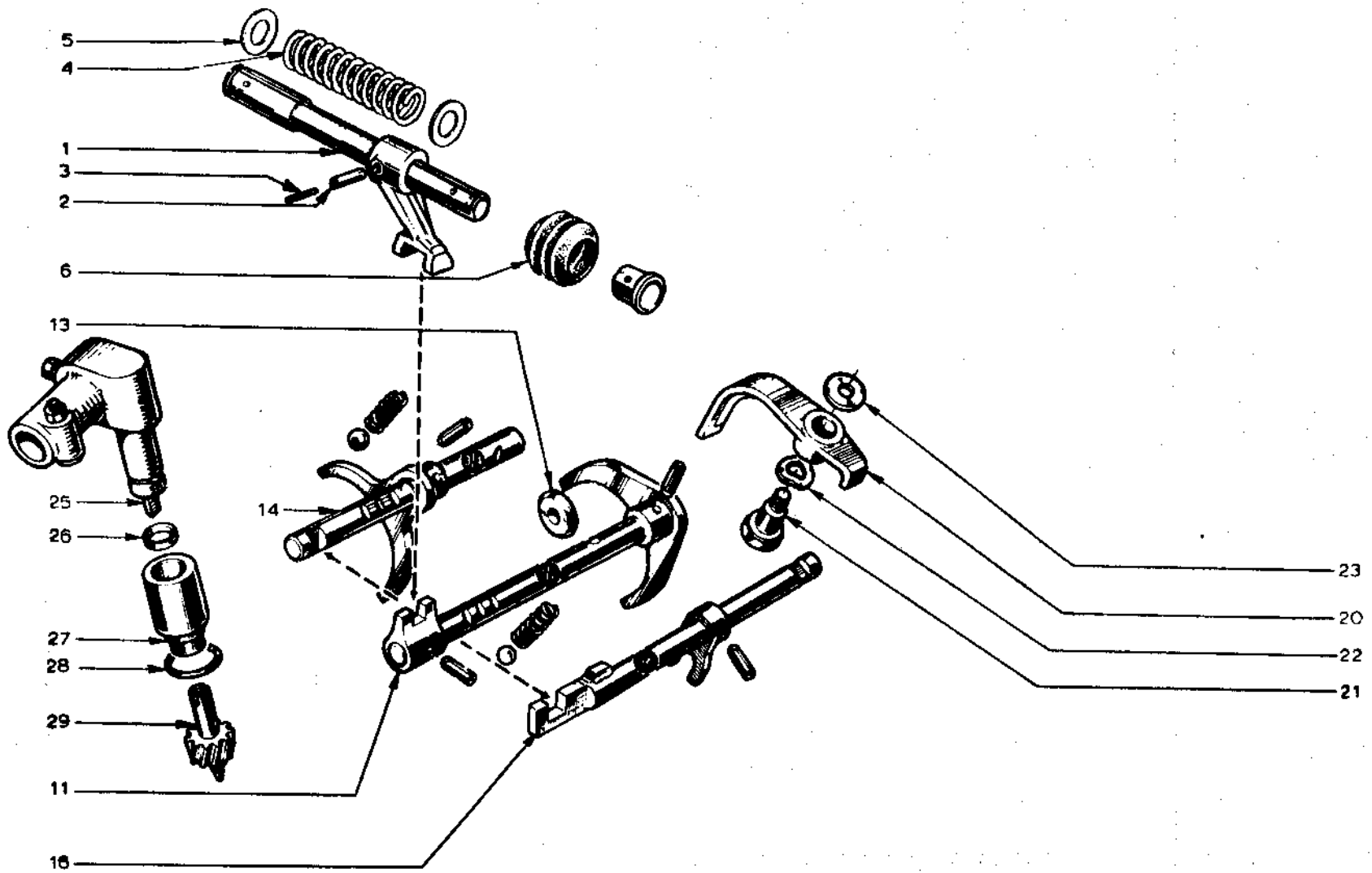


PLATE Ref: No.	PART NO.	QUANTITY					STEERING		DESCRIPTION TYPE 336 GEARBOX	CHANGE POINT	BULLETIN REF:
		ALL	T/C	T/C Fed.	Special	Spec. Fed.	LH	RH			
FJ1	X054F6005Z	1	1				*	*	Cross Shaft		
FJ2	A074F6004Z	1	1				*	*	Roll Pin. Outer		
FJ3	X046F6097Z	1	1				*	*	Roll Pin inner		
FJ4	A046F6049Z	1	1				*	*	Spring		
FJ5	A046F6093Z	2	2				*	*	Washer		
FJ6	X046F6092Z	2	2				*	*	Cap. Protective		
FJ11	D046F6109Z	1	1				*	*	Selector Shaft with Fork 1st/2nd Gear		
	X046F6110Z	1	1				*	*	Roll Pin. Fork attaching		
	A046F6030Z	1	1				*	*	Locking Ball		
	A046F6101Z	1	1				*	*	Spring		
FJ13	X046F6100Z	1	1				*	*	Locking Disc.		
FJ14	B046F6103Z	1	1				*	*	Selector shaft with Fork 3rd/4th Gear		
	X046F6099Z	1	1				*	*	Roll Pin Fork Attaching		
	A046F6030Z	1	1				*	*	Locking Ball		
	A046F6101Z	1	1				*	*	Spring		
FJ16	X054F6006Z	1	1				*	*	Selector Shaft with Fork . Reverse Gear		
	X046F6123Z	1	1				*	*	Roll Pin. Fork Attaching		
FJ20	X046F6120Z	1	1				*	*	Selector Reverse Gear (Pivot Hole dia 12mm)) 1973/3-
	A074F6038Z	1	1				*	*	Selector Reverse Gear (Pivot Hole dia 14 mm))
FJ21	X046F6122Z	1	1				*	*	Pivot Bolt (Dia 12 mm)		
	A074F6033Z	1	1				*	*	Pivot Bolt (Dia 14 mm)		FJ1

PLATE Ref. No.	PART NO.	QUANTITY					STEERING		DESCRIPTION	CHANGE POINT	BULLETIN REF:
		ALL	T/C	T/C Fed.	Special	Spec. Fed.	LH	RH			
FJ22	X046F6121Z		1	1			*	*	Washer (I/D 12 mm)) 1973/3-03
	A074F6034Z		1	1			*	*	Washer (I/D) 14 mm)		
FJ23	X046F6119Z		1	1			*	*	Spacer Washer		
FJ25	X046F6104Z		1	1			*	*	Angle Drive Speedo		
FJ26	X046F6105Z		1	1			*	*	Ring Seal		
FJ27	X046F6106Z		1	1			*	*	Guide speedo Drive Gear		
FJ28	X046F6107Z		1	1			*	*	'O' Ring		
FJ29	X046F6108Z		1	1			*	*	Speedo Drive Gear		

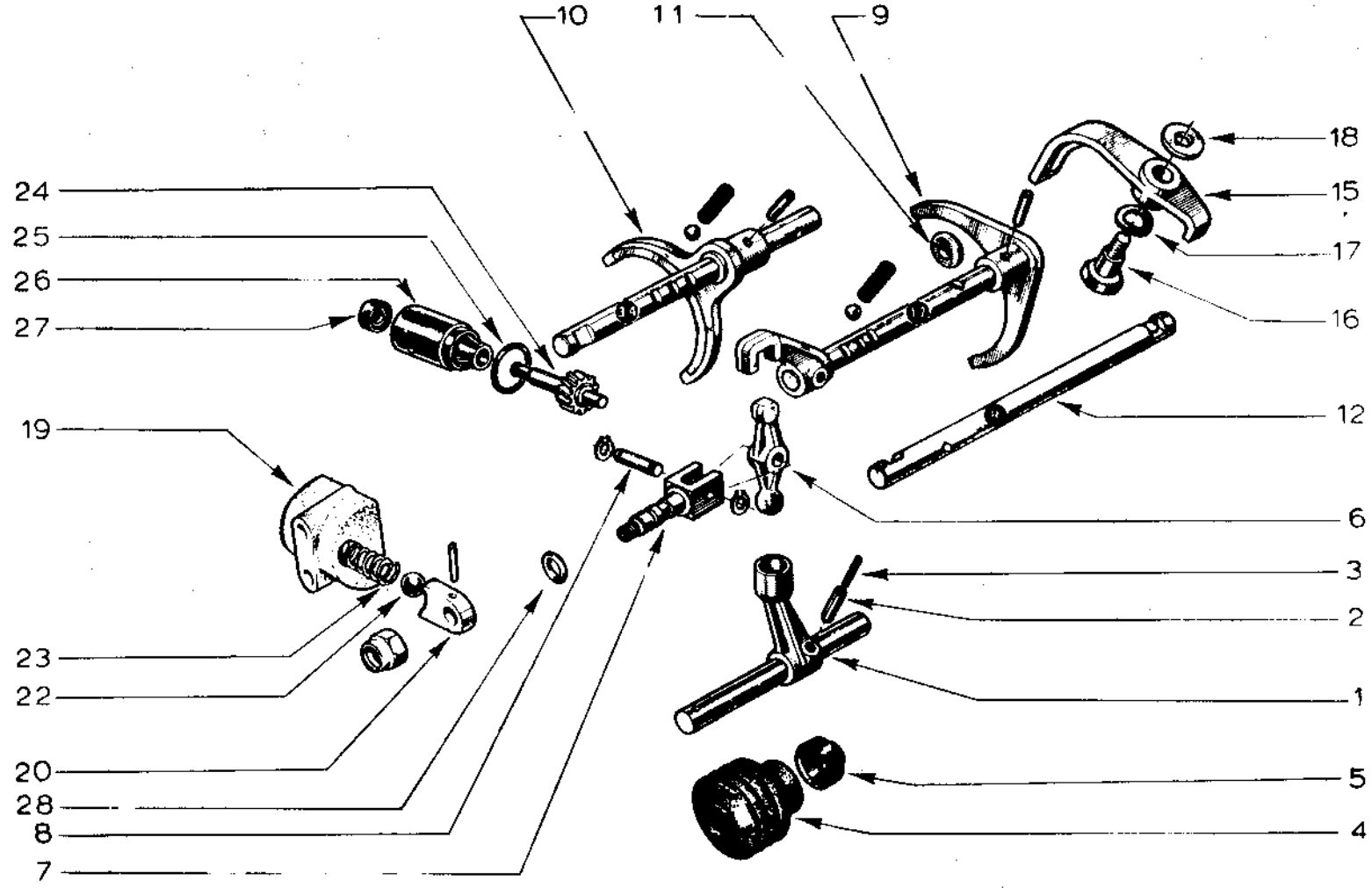


PLATE Ref: No.	PART NO.	QUANTITY					STEERING		DESCRIPTION	CHANGE POINT	BULLETIN REF
		ALL	T/C	T/C Fed.	Special	Spec. Fed.	LH	RH			
									<u>TYPE 352 GEARBOX.</u>		
FK1	A074 F 6066Z	1							Control Shaft. 13 mm. diameter,	Gearboxes Ser.No 17,000 onwards.	
	A074 F 6025Z	1						Control Shaft. 15 mm. diameter,			
FK2	A074 F 6074Z	1						Roll Pin. Outer,			
FK3	A074 F 6073Z	1						Roll Pin. Inner,			
FK4	A074 F 6067Z	1						Cap. Protective,			
FK5	A074 F 6075Z	1						Seal. (For 13 mm diameter control shaft.)			
	A074 F 6076Z	1						Seal. (Alternative for A074 F 6075Z)			
	A074 F 6029Z	1						Seal. (For 15 mm dia. control shaft)			
FK6	A074 F 6072Z	1						Rocking Lever.			
FK7	A074 F 6064Z	1						Shaft. Rocking Lever,			
FK8	A074 F 6063Z	1						Pivot Pin.			
	A074 F 6062Z	2						Circlip. Pivot Pin,			
FK9	A074 F 6069Z	1						Selector Shaft with Fork. 1 st /2 nd Gear,			
	X046 F 6099Z	1						Roll Pin. 1 st /2 nd fork,			
	A046 F 6101Z	1						Spring.			
	A046 F 6030Z	1						Locking Ball.			
FK10	A074 F 6059Z	1						Selector Shaft with Fork. 3 rd /4 th Gear,			
	X046 F 6099Z	1						Roll Pin. 3 rd /4 th fork,			
	A046 F 6101Z	1						Spring			
	A046 F 6030Z	1						Locking Ball.			

0475

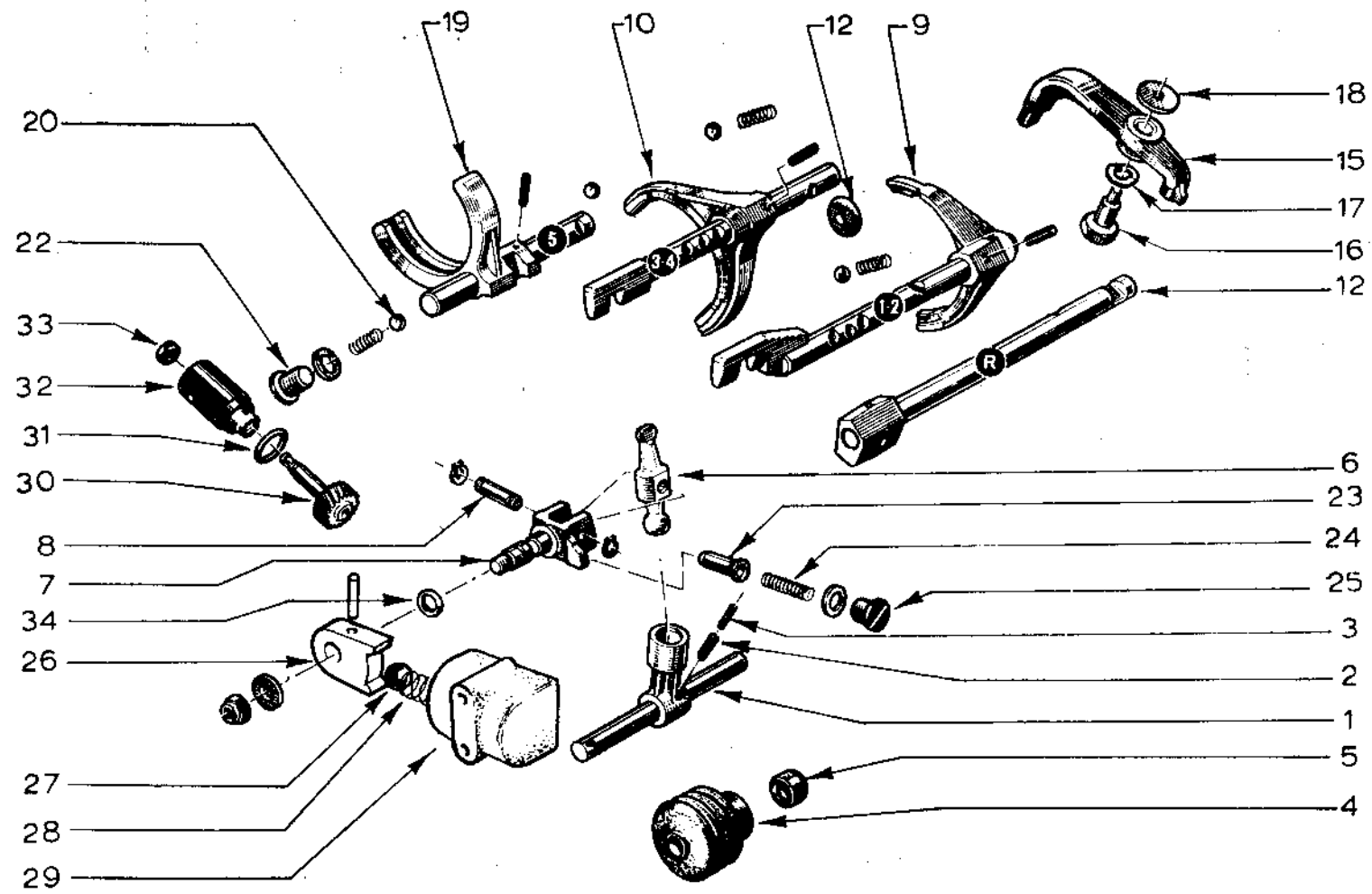
FK1.

PLATE Ref. No.	PART NO.	ALL	T/C	T/C Fed.	Special	Spec. Fed.	STEERING		DESCRIPTION	CHANGE POINT	BULLETIN REF:
							LH	RH			
									TYPE 352 GEARBOX		
FK11	A074F6070Z	1							Locking Disc.		
FK12	X046F6011Z	1							Selector Shaft Reverse		
FK15	A074F6068Z	1							Selector Reverse Gear (Pivot Hole Dia 12mm)		
	A074F6032Z	1							Selector Reverse Gear (Pivot Hole dia 14 mm)		
FK16	X046F6122Z	1							Pivot Bolt (Dia. 12 mm)		
	A074F6033Z	1							Pivot Bolt (Dia 14mm)		
FK17	X046F6121Z	1							Washer (I/D 12 mm)		
	A074F6034Z	1							Washer (I/D 14 mm)		
FK18	X046F6119Z	1							Spacer Washer		
FK19	B074F0200Z		1	1			*	*	Housing Reverse Indent		
	B074F0212Z	1							Housing Reverse Indent	Introduced at Uni No. U.K. 1782P European 1101Q Federal 2684R	
FK20	A074F0202Z		1	1			*	*	Cam. Reverse Indent		
	A074F6012Z		1	1			*	*	Pin. Spirol, 1/8ins x 1.00 ins.		
	A074F6065Z		1	1			*	*	Nut		
	B074F0202Z	1							Cam Reverse Indent	As B074F0212Z	
	A074F6023Z	1							Pin Spirol 1/16ins. x 1.00 ins		
	A074F6065Z	1							Nut		
FK22 0475	A074F6014Z	1							Ball Reverse Indent		FK2

PLATE Ref: No.	PART NO.	QUANTITY					STEERING		DESCRIPTION TYPE 352 GEARBOX	CHANGE POINT	BULLETIN REF:
		ALL	T/C	T/C Fed.	Special	Spec. Fed.	LH	RH			
FK23	B074F0206Z	1							Spring Reverse Indent	As B074F0212Z	
	D074F0208Z		1	1			*	*	Cover. Reverse Indent		
	A074F0222Z	1							Cover Reverse Indent		
FK24	A074F6061Z	1							Speedo Driven Gear		
FK25	X046F6107Z	1							'O' Ring Seal		
FK26	A074F6060Z	1							Guide		
FK27	X046F6105Z	1							Ring Seal		
FK28	A074F6178Z								'O' Ring		

0475

FK3



QUANTITY

PLATE PART NO.
Ref: No.

ALL
T/C
T/C Fed.
Special
Spec. Fed.

STEERING
LH RH

DESCRIPTION
TYPE 365 GEARBOX

CHANGE POINT

BULLETIN
REF:

PLATE Ref: No.	PART NO.	ALL	T/C	T/C Fed.	Special	Spec. Fed.	STEERING LH	STEERING RH	DESCRIPTION
FL15	A074F6068Z				1	1	*	*	Selector. Reverse Gear (Pivot Hole Dia. 12 mm)
	A074F6032Z				1	1	*	*	Selector Reverse Gear (Pivot Hole Dia. 14mm)
FL16	X046F6122Z				1	1	*	*	Pivot Bolt (Dia 12 mm)
	A074F6033Z				1	1	*	*	Pivot Bolt (Dia 14 mm)
FL17	X046F6121Z				1	1	*	*	Washer (I/D 12 mm)
	A074F6037Z				1	1	*	*	Washer (I/D 14 mm)
FL18	X046F6119Z				1	1	*	*	Spacer Washer
FL19	A074F6141Z				1	1	*	*	Selector Shaft with Fork 5th Gear
	A074F6142Z				1	1	*	*	Roll Pin. Fork attaching
	A074F6143Z				1	1	*	*	Locking Ball
FL20	A046F6030Z				1	1	*	*	Locking Ball
	A074F6035Z				1	1	*	*	Spring
FL22	A074F6137Z				1	1	*	*	Plug Screw
	A074F6138Z				1	1	*	*	Washer
FL23	A074F6129Z				1	1	*	*	Detent Plunger 5th Gear
FL24	A074F6130Z				1	1	*	*	Detent spring
FL25	A074F6132Z				1	1	*	*	Plug Screw
	A074F6131Z				1	1	*	*	Washer
FL26	B074F0225Z				1	1	*	*	Cam Reverse Indent
	A074F6023Z				1	1	*	*	Pin Spirol 1/16 inch x 1.00 inch
0475	LMMN100F				1	1	*	*	Nut

1973/3-03

FL2

QUANTITY

PLATE PART NO.
Ref. No.

ALL
T/C
T/C Fed.
Special
Spec. Fed.

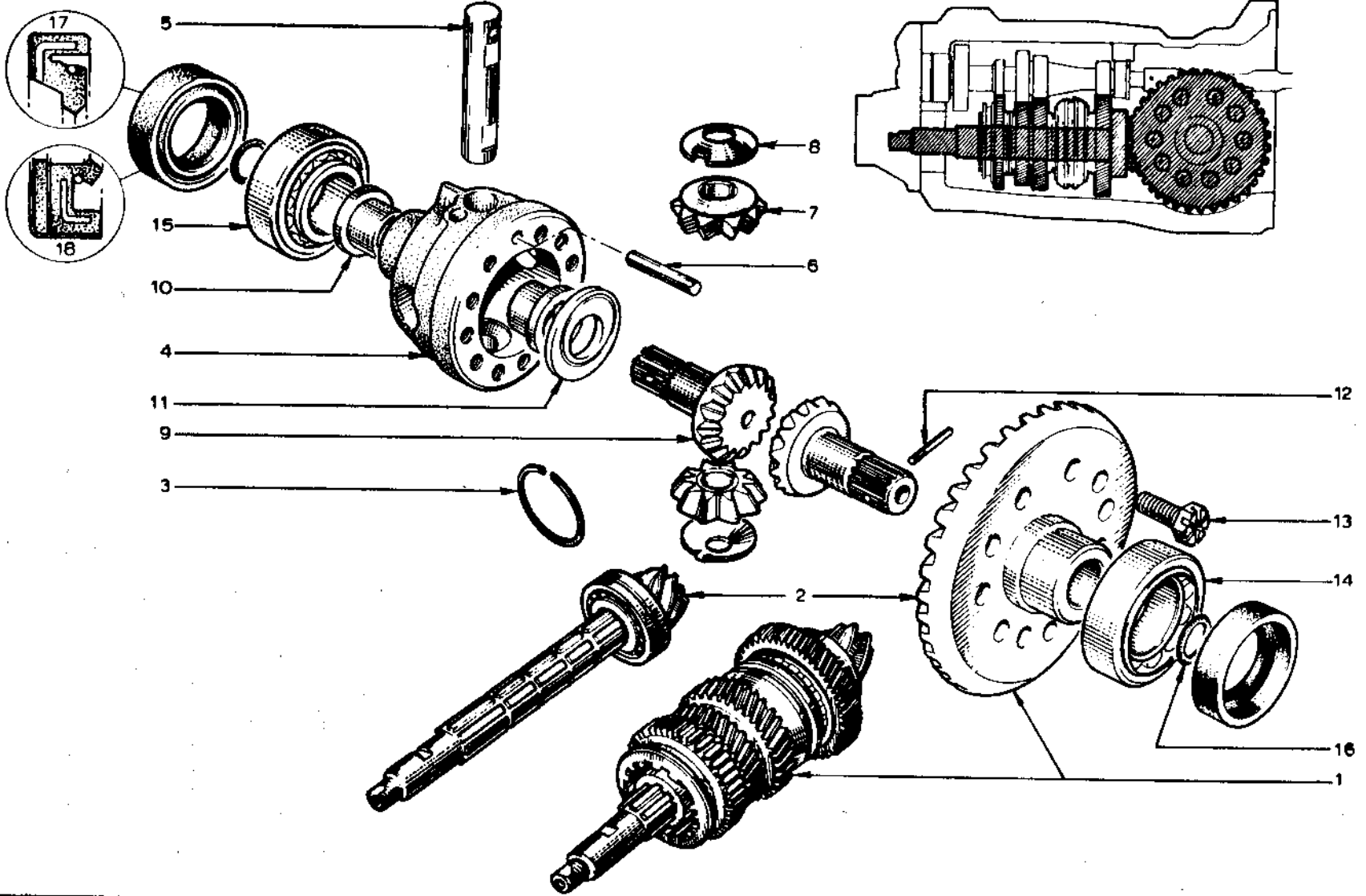
STEERING
LH RH

DESCRIPTION
TYPE 365 GEARBOX

CHANGE POINT

BULLETIN
REF:

PLATE Ref. No.	PART NO.	ALL	T/C	T/C Fed.	Special	Spec. Fed.	STEERING LH	RH	DESCRIPTION
FL27	B074F6014Z				1	1	*	*	Indent Ball
FL28	B074F0206Z				1	1	*	*	Indent Spring
FL29	B074F0212Z				1	1	*	*	Housing Reverse Indent
	A074F0213Z				1	1	*	*	Cover Reverse Indent
FL30	A074F6136Z				1	1	*	*	Speedo Gear
FL31	A046F6107Z				1	1	*	*	Seal
FL32	A074F6060Z				1	1	*	*	Guide
FL33	X046F6105Z				1	1	*	*	Ring Seal
FL34	A074F6178Z				1	1	*	*	O Ring



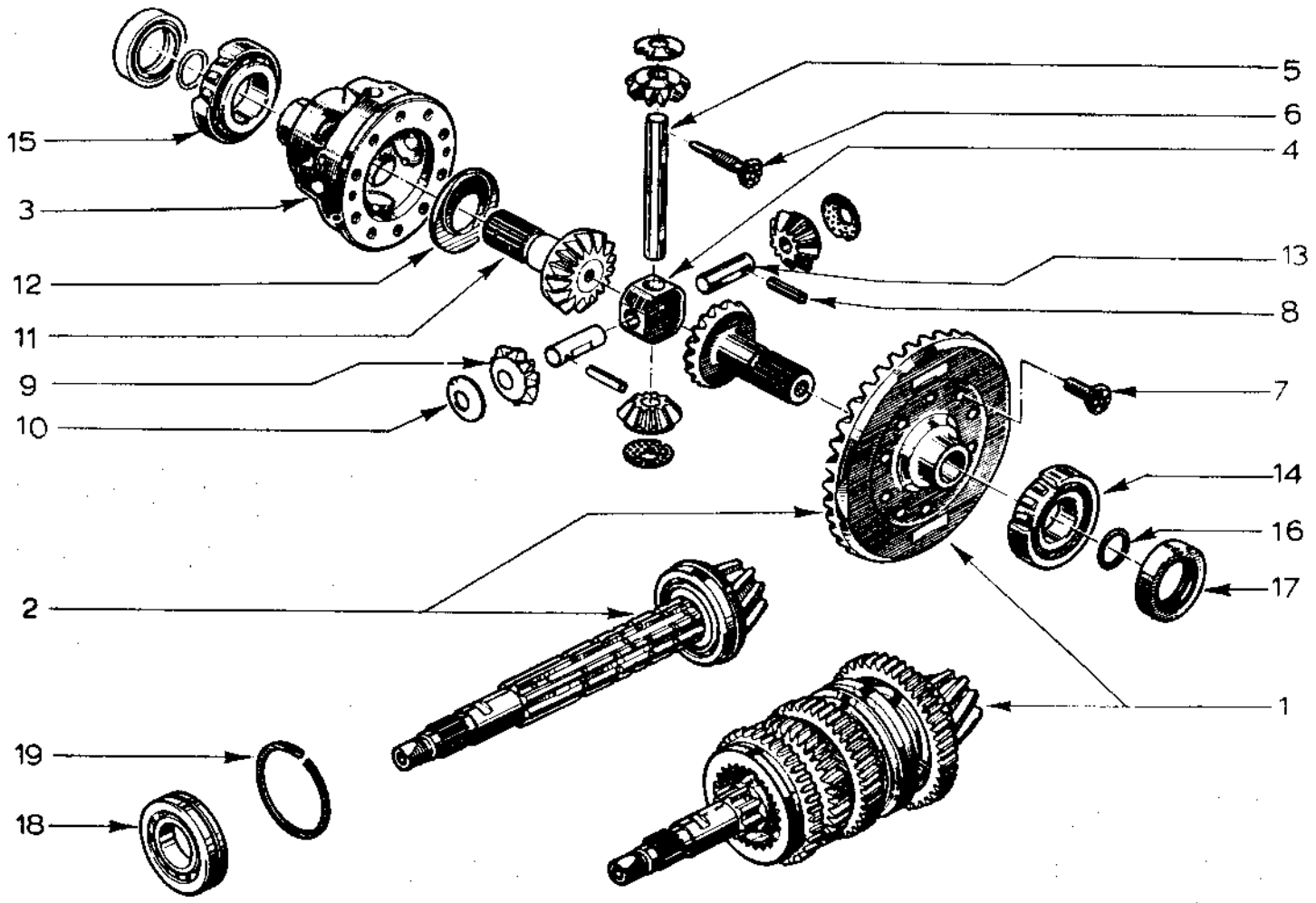
Types 336 & 352

PLATE Ref: No.	PART NO.	QUANTITY					STEERING		DESCRIPTION	CHANGE POINT	BULLETIN REF.
		ALL	T/C	T/C Fed.	Special	Spec. Fed.	LH	RH			
									<u>TYPE 336 AND 352 GEARBOX</u>		
FM1	B046 F 6143W		1	1			*	*	Crown Wheel and Pinion with Gear Set (336G/B)		
	A074 F 6057W	1							Crown Wheel and Pinion with Gear Set (352 G/B)		
FM2	X046 F 6131Z		1	1			*	*	Crown Wheel and Pinion. (yellow) (336 G/Box)		
	X046 F 6132Z		1	1			*	*	Crown Wheel and Pinion. (blue) (336 G/Box)		
	A074 F 6056Z	1							Crown Wheel and Pinion. (yellow) (352 G/Box)		
	A074 F 6055Z	1							Crown Wheel and Pinion. (blue) (352 G/Box)		
FM3	X046 F 6129Z		1	1			*	*	Circlip.		
FM4	A046 F 6192Z		1	1			*	*	Carrier. Crown Wheel,		
FM5	C046 F 6193Z		1	1			*	*	Differential Pin. (336 G/Box)		
	A074 F 6058Z	1							Differential Pin. (352 G/Box)		
FM6	A046 F 6124Z	1							Roll Pin.		
FM7	A046 F 6136Z	2							Planet Wheel.		
FM8	X046 F 6135Z	2							Thrust Washer.		
FM9	X046 F 6138Z	2							Sun Wheel.		
FM10	X046 F 6137Z	2							Bush.		
FM11	X046 F 6144Z	AR							Washer. (1.97 to 2.00 mm.)		
	X046 F 6145Z	AR							Washer. (2.03 to 2.07 mm.)		
FM12	X046 F 6188Z	2							Roll Pin.		
FM13	X046 F 6194Z		10	10			*	*	Bolt. Crown Wheel attaching, (336 G/Box)		

0972.

FM1.

PLATE Ref: No.	PART NO.	QUANTITY					STEERING		DESCRIPTION	CHANGE POINT	BULLETIN REF.
		ALL	T/C	T/C Fed.	Special	Spec. Fed.	LH	RH			
									<u>TYPE 336 AND 352 GEARBOX.</u>		
	X046 F 6139Z	10							Bolt. Crown Wheel attaching, (352 G/Box)		
FM14	X046 F 6142Z	1							Bearing.		
FM15	X046 F 6126Z	1							Bearing.		
FM16	X046 F 6140Z	2							'O' Ring.		
FM17	X046 F 6141Z		2	2			*	*	Ring Seal.	} 336 G/Box	
	X046 F6141A		2	2			*	*	Ring Seal. (replaces X046 F 6141Z)		
FM18	A074 F 6024Z	2							Ring Seal. (352 G/Box)		



365 1272 AL1

F157

QUANTITY

PLATE Ref: No. PART NO.

ALL
T/C
T/C Fed.
Special
Spec. Fed.

STEERING
LH RH

DESCRIPTION

CHANGE POINT

BULLETIN
REF:

TYPE 365 GEARBOX

FN1	A074 F 6151Z			1	1	*	*	Crown Wheel and Pinion with Gear Set	Type 365-04
	A074 F 6160Z			1	1	*	*	Crown Wheel and Pinion with Gear Set	Type 365-07
FN2	A074 F 6152Z			1	1	*	*	Crown Wheel and Pinion (Yellow)	Type 365-04
	A074F6159Z			1	1	*	*	Crown Wheel and Pinion (Yellow)	Type 365-07
	A074 F 6153Z			1	1	*	*	Crown Wheel and Pinion (Blue)	Type 365-04
	A074 F 6158Z			1	1	*	*	Crown Wheel and Pinion (Blue)	Type 365-07
FN18	A074 F 6036Z			1	1	*	*	Bearing. Pinion.	
FN19	A074 F 6037Z			1	1	*	*	Circlip. Bearing,	
FN3	A074 F 6155Z			1	1	*	*	Housing	
FN4	A074 F 6154Z			1	1	*	*	Hub	
FN5	A074 F 6146Z			1	1	*	*	Shaft	
FN6	A074 F 6147Z			1	1	*	*	'Pip' Bolt Crown Wheel attaching,	
FN7	X046 F 6139Z			9	9	*	*	Bolt Crown Wheel attaching	
FN8	A074 F 6149Z			2	2	*	*	Roll Pin	
FN9	A074 F 6145Z			4	4	*	*	Planet Wheel	
FN10	X046 F 6135Z			4	4	*	*	Thrust Washer	
FN11	A074 F 6150Z			2	2	*	*	Sun Wheel	
FN12	X046 F 6144Z			AR	AR	*	*	Washer. 1.97 to 2.00 mm	
	X046 F 6145Z			AR	AR	*	*	Washer 2.03 to 2.08 mm	

FN1

0475

PLATE Ref: No.	PART NO.	QUANTITY					STEERING		DESCRIPTION	CHANGE POINT	BULLETIN REF:
		ALL	T/C	T/C Fed.	Special	Spec. Fed.	LH	RH			
									<u>TYPE 365 GEARBOX</u>		
FN13	A074 F 6148Z			2	2		*	*	Shaft		
FN14	X046 F 6142Z			1	1		*	*	Bearing		
FN15	X046 F 6126Z			1	1		*	*	Bearing		
FN16	X046 F 6140Z			2	2		*	*	'O' Ring		
FN17	A074 F 6024Z			2	2		*	*	Seal		
FN18	A074 F 6036Z			1	1		*	*	Bearing. Pinion,		
FN19	A074 F 6024Z			1	1		*	*	Circlip. Bearing.		